



Security Tech Germany

**BRAVUS™ MX MAGNET - PRO CAP**

# PLAY IT SAFE WITH COLOURS

MODERN HIGH-END SECURITY  
FOR YOUR HOME



# HIGH-END SECURITY

BRAVUS™ MX MAGNET with Pro Cap



## HIGH-END SECURITY

The Bravus MX Magnet offers the highest level of security – thanks to the integrated magnet technology, SKG\*\*\* security certification as standard, technical copy protection, patent protection until 2038\* and trademark protection.

The independent SKG testing institute has certified the Bravus MX magnetic Euro profile cylinders in the highest security class, SKG\*\*\*. The security elements fitted as standard inside the magnetic cylinders ensure iron-clad security and provide protection against manipulation.

The magnetic cylinder also achieves the highest security level in the categories of lock security, durability, corrosion resistance, fire resistance and pick resistance.

The security card provides additional protection as this must be presented before additional cylinders and keys can be ordered.

For colour coding, the key is equipped with the high-quality Pro Cap. This is available in nine attractive colours.

\* pending, max. patent term to 2038

# PRO CAP

---

Colour variety and security

## A SAFE PLAY OF COLOURS

The variant with the Pro Cap key cap offers a wide range of colours to underline individuality. Choose your favorite colour from nine shades.

There is sure to be the right color for every member of the family.



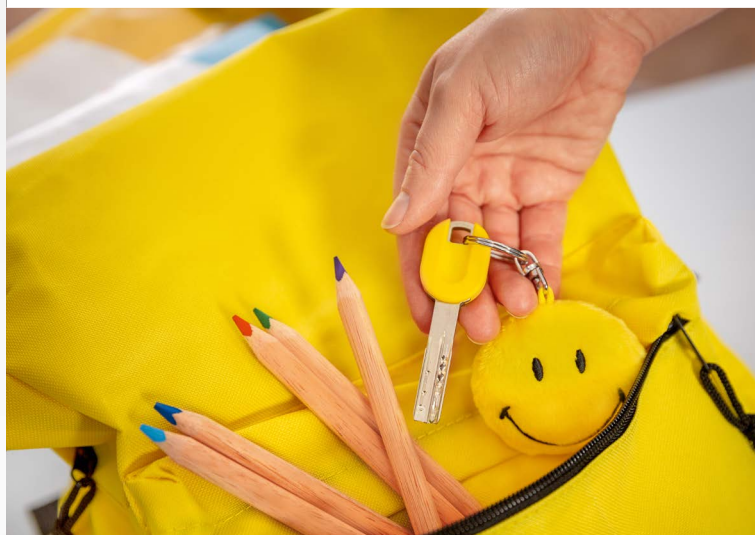
## PRO CAP

Colour variety and security

### NINE MODERN COLOURS TO CHOOSE FROM

Due to the colour coding, the keys can be distinguished at first glance. The search for keys is a thing of the past.

Or indicate group permissions for your object using different colours. This allows you to control exactly who has access to which area.





# AS INDIVIDUAL AS YOU

Colour variety for the family



# ACCESS ORGANIZATION

Coloured group keys for your object



yellow



orange



ruby



turquoise



light blue



sapphire blue



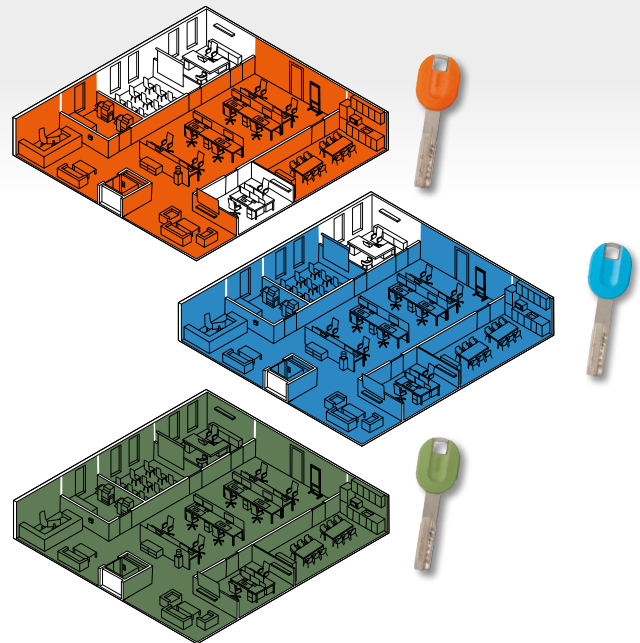
reseda green



umbra grey



black





# MAXIMUM COPY PROTECTION

---

Against illegal 3D key copying

## HIGH-END KEY COPY PROTECTION

The intelligent magnet technology and the patented Intellitec system on the key and in the cylinder effectively prevent the lock from being operated using unauthorised keys. As a result, the Bravus MX Magnet provides reliable protection against illegal 3D key copies.

In recent times, 3D printers have evolved from a niche product into a major branch of industry. They can be used to produce three-dimensional components. Although this technology offers a wide range of exciting prospects for certain sectors, it also poses a certain amount of risks, as simple key profiles or key blanks can be illegally copied using a 3D printer.

Protect yourself and your home by ensuring that the locking system you purchase uses complex key profiles with multi-dimensional security features. The magnet in the Bravus MX Magnet key prevents copying via 3D printing thanks to its complex technical design. In addition, the locking process can only be completed if the key has the original magnet. The multi-dimensional Intellitec system provides further protection against 3D copies.



# MAGNET TECHNOLOGY

---

## Operation

### ON THE KEY

Little magnet, big effect:  
The magnet is attached to the narrow side of the key shaft. The door can only be opened when the magnet is present.

### IN THE CYLINDER

When the key is inserted into the door, the control pin in the cylinder checks the magnets on the key. If all of the magnet characteristics are correct, the locking process is enabled. The Intellitec system also verifies locking authorisation.



# SYSTEM BRAVUS™ MX MAGNET

In detail

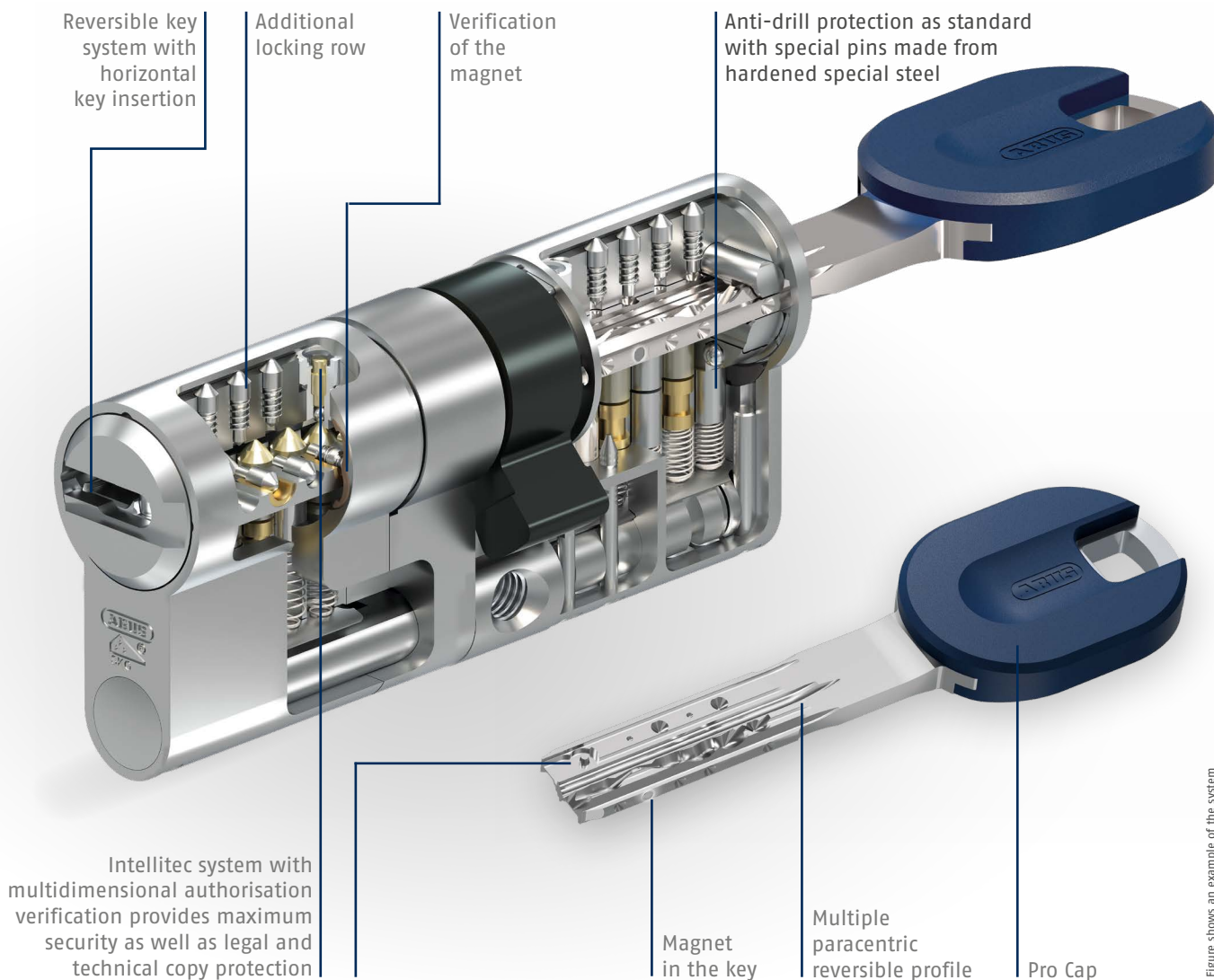
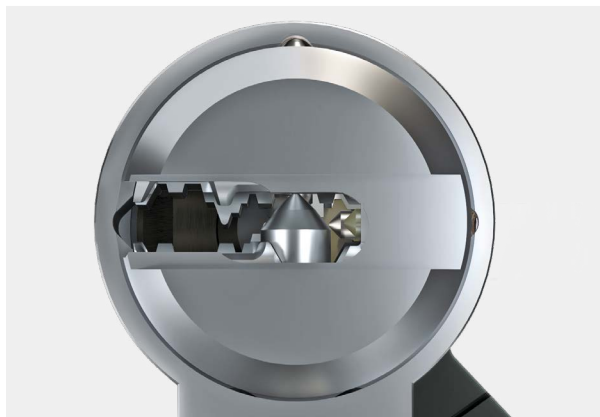


Figure shows an example of the system

# SYSTEM BRAVUS™ MX MAGNET

In detail



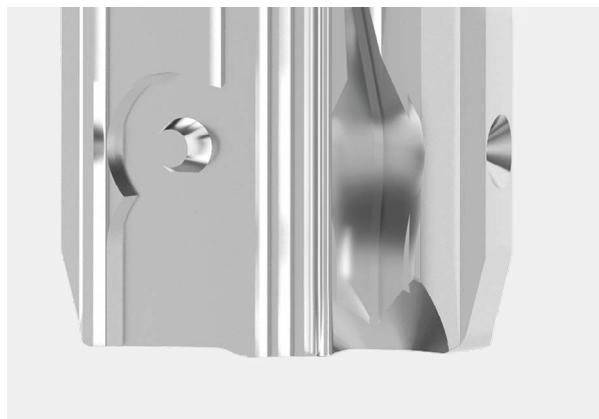
The modern reversible key system with horizontal key insertion is convenient and comfortable to use.



The Bravus MX Magnet locking system includes innovative magnet technology and the Intellitac system\* in the cylinder and key.



The innovative shape of the key makes it almost unnoticeable in a trouser pocket. The modern, solid key does not snap. For colour coding, you can choose the key variant with the high-quality Pro Cap.

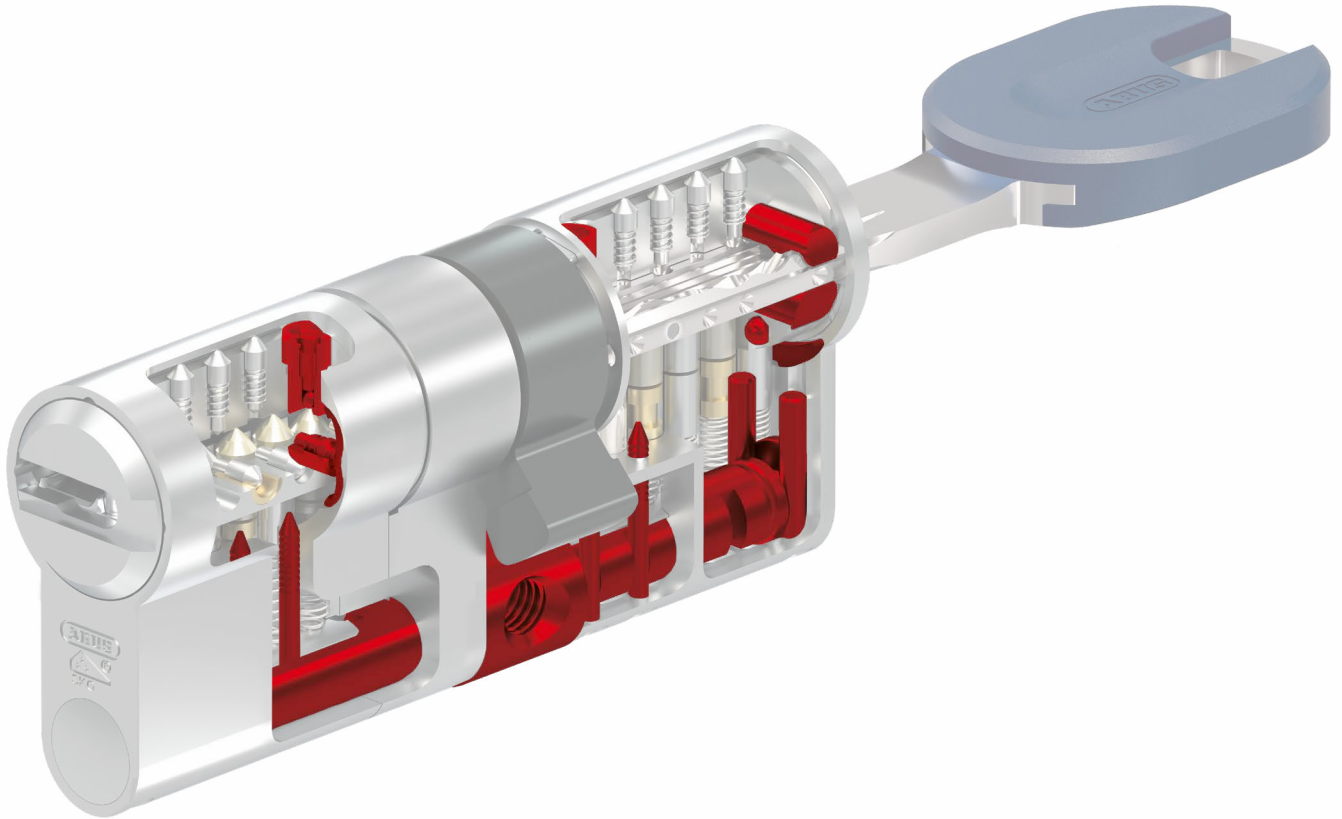


With multidimensional authorisation verification, it offers extremely effective protection against illegal key copies and manipulation of the lock cylinder.

\* pending, max. patent term to 2038

# ANTI-DRILL, ANTI-EXTRACTION AND ANTI-SHATTER PROTECTION

Certified security elements



The security elements fitted as standard inside the magnetic cylinders ensure iron-clad security and provide protection against manipulation: The stainless steel bar is the key component of the system and provides increased protection against shattering and extraction. The high-strength stainless-steel anti-drill inlay and the hardened-steel elements in the cylinder housing and cylinder core offer increased protection against drilling.

# SYSTEM BRAVUS™ MX MAGNET

## Standard



Anti-drill  
protection



Anti-shatter  
protection



Anti-extraction  
protection



Anti-picking



3D copy  
protection



Anti-bump  
protection



Magnetic  
element



Modular  
system



Patent term  
to 2038\*



SKG\*\*\*  
certificate



Security  
card



Reversible  
key

# TECHNICAL DETAILS

## Overview

System:	Bravus™ MX Magnet
Key:	Multiple paracentric reversible key made from hard-wearing nickel silver, incredibly stable
Key insertion:	Horizontal
Patent protection*:	✓
Trademark protection:	✓
Copy protection:	Intellitec system with multidimensional authorisation verification, magnet in the key
Locking rows:	Up to 3
Total locking elements:	Up to 16
Basic length:	30/30 mm in MX for Euro profile double cylinders
Length increments:	Extensions available in 5 mm increments
Security card:	✓
Key related security:	Class 6 in accordance with DIN EN 1303, details available on request
Attack resistance:	Grade B Grade D for Euro profile cylinders thanks to SKG*** certification
Fire resistance:	Grade B, T90
Product certification:	Certified in accordance with DIN 18252 and DIN EN 1303, SKG*** as standard for Euro profile cylinders, available for other cylinders on request
Manufacturer certification:	ISO 9001
Production:	Made in Germany

\* pending, max. patent term to 2038





**ABUS | Pfaffenhain GmbH**  
**abus.com**

---

Fabrikstraße 1  
09387 Jahnsdorf  
Germany  
+49 37296 713-0  
vertrieb@abus-pfaffenhain.de

Your specialist dealer:

