



Security Tech Germany

# CYLINDER AND LOCKING SYSTEMS SECURITY FOR YOUR PROPERTY



Made in Germany

# THE GOOD FEELING OF SECURITY

Since 1924



## TRADITION AND INVENTIVE SPIRIT

ABUS is a global brand that has been owned by the family since the company was founded almost 100 years ago. Such a story can only be written on the basis of value-oriented, forward-looking entrepreneurship.

It all started in 1924 in the village of Volmarstein an der Ruhr. August Bremicker and his sons forged the first padlocks in the basement of his house. From the very beginning, he wanted to create products that would protect people's lives and property. So it became "August Bremicker und Söhne" ABUS - the synonym for safety, and an internationally successful group of companies that creates trust with innovations for preventive safety technology.



# PRESENT WORLDWIDE, AT HOME IN GERMANY

## ABUS in the world



## SECURED ALL AROUND

We don't just want to give people in Germany the good feeling of security. Customers all over the world should experience what it means to trust ABUS. This is how we provide people on all continents with tailor-made security solutions. To achieve this, our German production facilities work closely with our international partners - on 25 Locations with 102 country locations. ABUS employs over 3,500 people worldwide.

Our security solutions for intelligent building security systems are used worldwide and range from door and window security systems to mechanical and electronic locking systems

to alarm systems and video surveillance. We secure buildings with an individually thought-out concept.

With our know-how, we develop the technology for tomorrow today. At the German development and production sites in Wetter, Rehe, Hege, Jahnsdorf and Affing intelligent security solutions and innovative products are created. With the help of strict material testing and simulations in modern test laboratories, the quality and durability of new developments are extensively tested before the products go into series production and reach all over the world.



# PRODUCT DIVERSITY MEETS PARTNERSHIP

Locking systems from ABUS



## **QUALITY "MADE IN GERMANY"**

As a specialist for master key systems in the ABUS Group, ABUS Pfaffenhain develops high-quality, innovative locking systems at its location in Jahnsdorf.

The production takes place consistently from the cylinder housing to the core pin "Made in Germany ". In this way we guarantee the highest product quality.

## **CUSTOM-MADE SOLUTIONS**

From a single-family house to a building complex: We implement single locks as well as small to very large master key systems and offer you the optimal solution for every security requirement. ABUS locking systems can be expanded at any time so that you can react flexibly to changes in the building structure.

Of course, you will also receive additional products for your locking system many years after the first order.

## **ALWAYS BY YOUR SIDE**

Our employees in the sales and field sales force support you with all questions regarding the security of an object, from the planning of the master key system to the selection of the right products and installation.

Our customer service centre is at your side for special technical questions.

## **TRAINED WELL**

It is important to us to support you in your daily work and in sales because only together we can be successful in the market. We offer you tailor-made master key system training so that you can give your customers even more targeted advice and achieve even better sales results. Our experts in sales, locking system planning and -calculation and cylinder assembly treat you individually.



# TRUST WORLDWIDE

## References

### SECURITY SOLUTIONS ALL AROUND THE WORLD

From single-family homes to schools and small businesses to hospitals, universities and prisons, customers entrust us with their security needs and involve us in highly sensitive processes.

We offer customized master key systems for every building. Well-known references in Germany and abroad show industry-specific solutions and give a good feeling of security.



Frankfurt Trade Fair,  
Germany



Apartment Building Hamburg,  
Germany



Castle Albrechtsberg,  
Germany



Gas Power Station Herdecke,  
Germany



Sonnenhof Rehab Clinic,  
Germany



Sparkasse Dillenburg,  
Germany



University Bielefeld,  
Germany



Golf- and Wellnesshotel  
Balmer See, Germany



Hostel Campus Tower  
Magdeburg, Germany



Freight Village Ingolstadt,  
Germany



Barmer GEK Health Insurance,  
Germany



Elbe Office Building Magdeburg,  
Germany



Burj Al Arab Hotel,  
United Arab Emirates



Emirates Palace Hotel,  
United Arab Emirates



Al Zeina Housing Complex,  
United Arab Emirates



University Laboral de Gijón,  
Spain



School Collège Paul Langevin,  
France



Hospital Clermont-Ferrand,  
France

# THE PERFECT CYLINDER FOR EACH APPLICATION

Diversity of cylinder types



## ONE KEY FOR YOUR PROPERTY

We have the right solution for every requirement. Regardless of whether you lock a security door, control an elevator or need another solution, our international range offers you the right product for every purpose.

For example, you lock the office door with the double cylinder. You can also control alarm systems with the same key thanks to the transponder in the key cap. In addition, you operate the parking barrier and can record your working hours at the same time. You can only reach sensitive areas with the elevator if your key has a locking authorization for the elevator cylinder. They lock in the private sector thanks to a knob cylinder the inside of the apartment door is comfortable. With your key, you can also open the lever cylinder in the mailbox and the padlock on the basement door.

## YOUR ANCHOR

With the second key option, you can easily recode your cylinders if you lose a key. In this case, use the second key set to deactivate the lost and all previous keys. Alternatively, use the 2in1 master key system already during the construction phase: You install the master key system and use it as a building locking system. After the end of construction, hand over the second set of keys to the users, the closing of the first key set is deactivated. We would be glad to advise you in detail on the various options.





Double Cylinder



Elevator Cylinder



Knob Cylinder



Locking inserts



Locking inserts



Oval Cylinders



Rim Cylinders



Padlocks



# SUITABLE FOR EACH DESIGN CONCEPT

---

## Cylinder Finishes

### **COLOR-COORDINATED**

Adapt the cylinder to your door fitting. Because even if this optically makes up the smallest part of the door, it looks more harmonious in the overall picture if all elements are colour-coordinated.

You can order special colours for all master key systems and many cylinder types. The colour palette ranges from Antique Bronze and Antique Copper to various silver and gold tones to black.

You will find an excerpt of current color shades alongside. We are constantly expanding our range. If you request other colours please contact us.



Antique  
brass



Brass



Polished  
gold



Antique  
copper



Nickel  
plated



Antique  
silver



Satin  
chrome



Polished  
chrome



Dark  
nickel



Black  
silver



Black  
matt



Ultra matt  
black



# OPEN ALL DOORS WITH ONLY ONE KEY

From single-family home  
to building complex

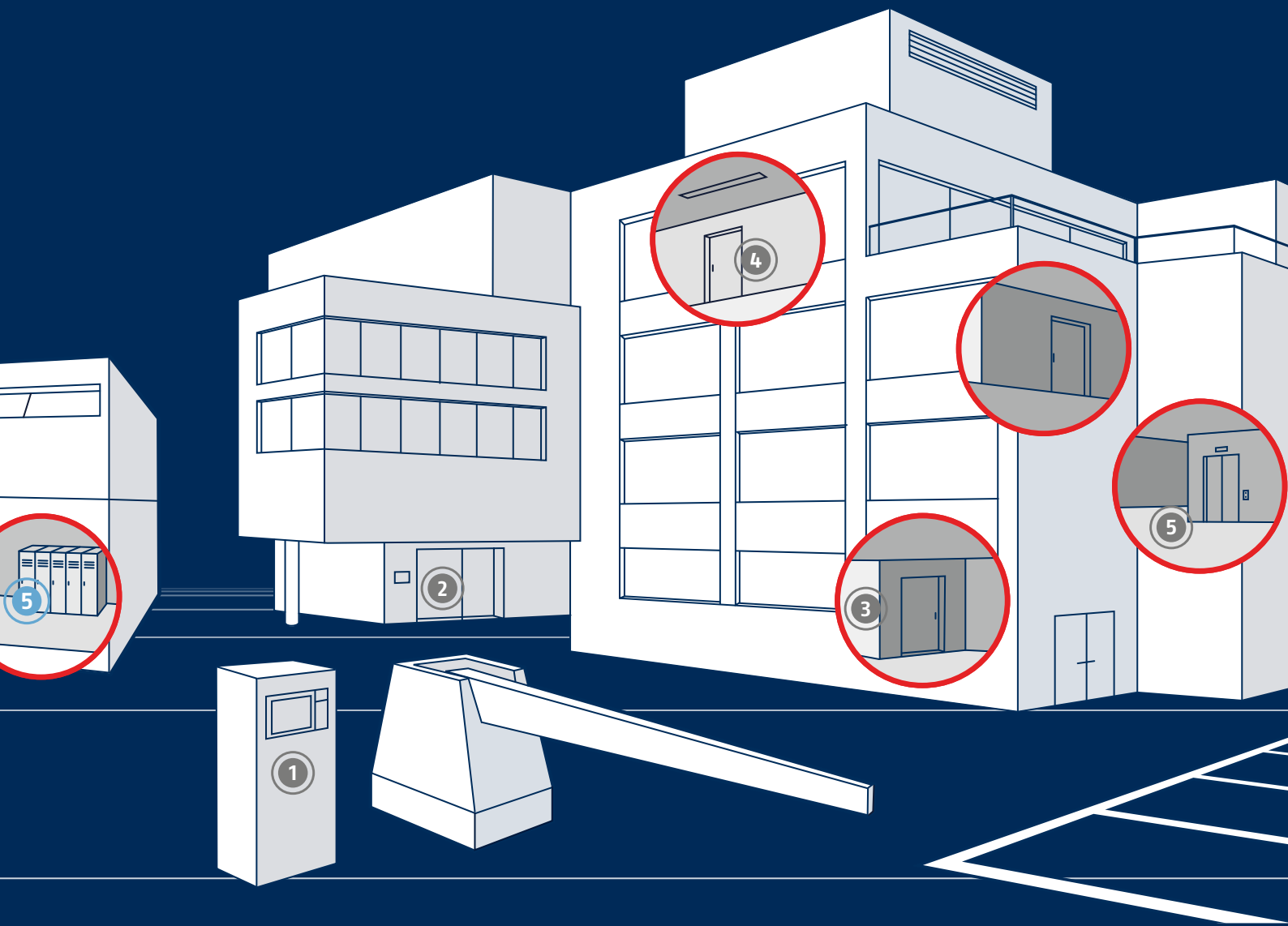


## SINGLE-FAMILY HOME

- ① Knob cylinder for main door
- ② Cam cylinder for post box
- ③ Half cylinder for garage

## SCHOOL

- ① Double cylinder for entrance door for staff
- ② Knob cylinder for teachers' room
- ③ Cylinder anti-amok function for classroom
- ④ Half cylinder for gym for sports teacher
- ⑤ Padlock for locker

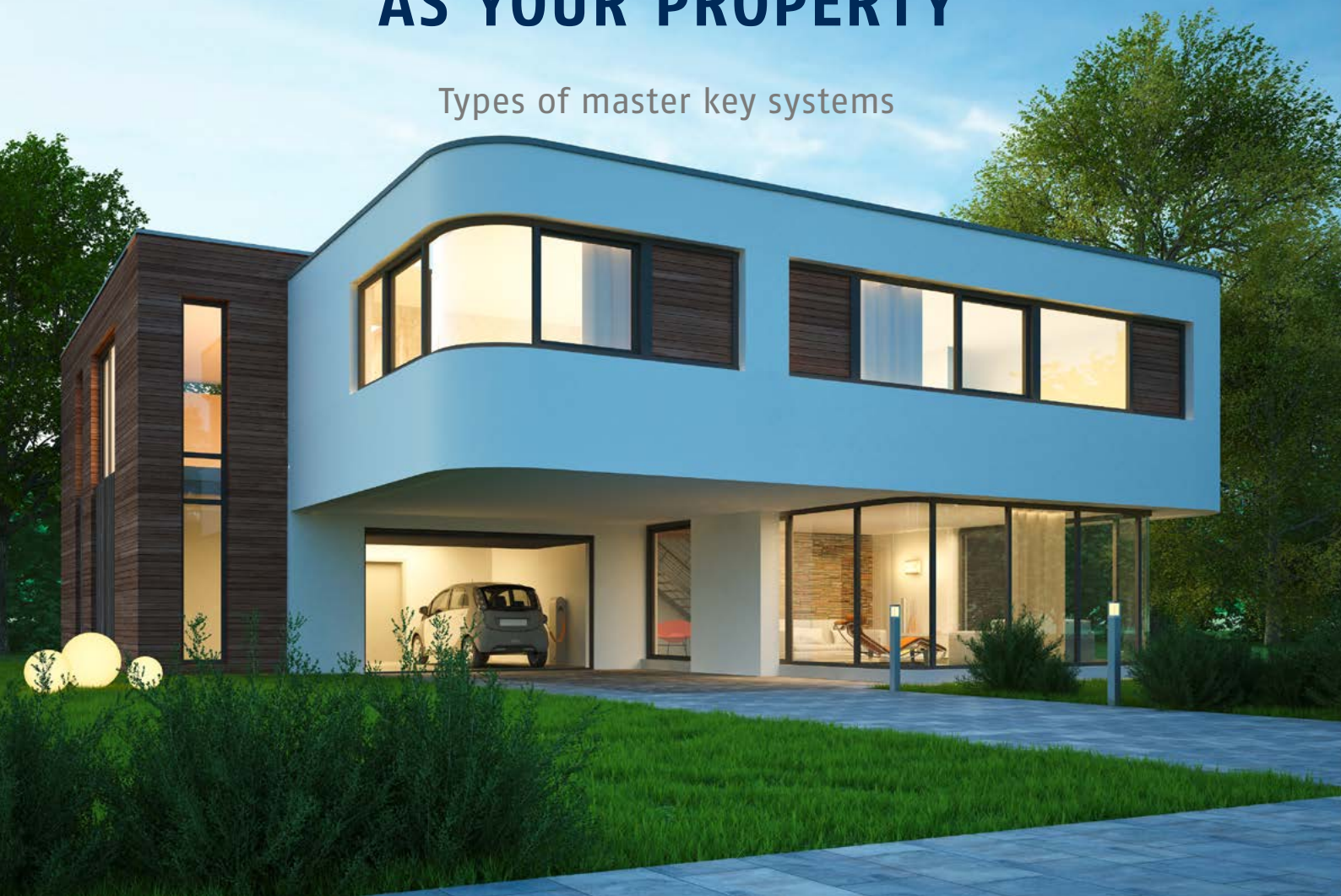


## OFFICE COMPLEX

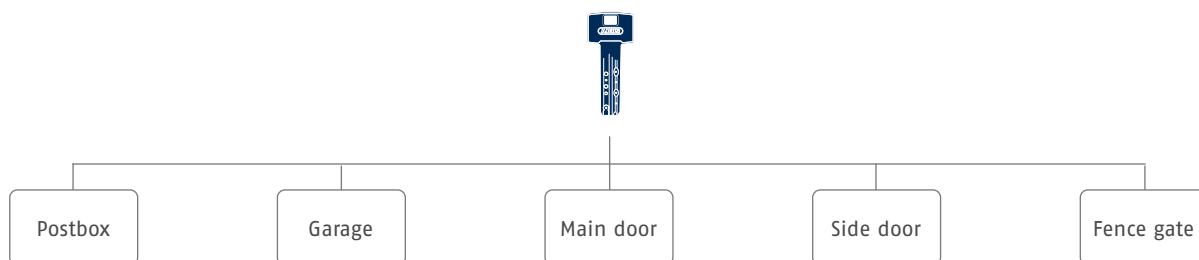
- ① Input unit for operating of barrier for staff
- ② Electronic control panel for time registration for staff
- ③ Electronic cylinder for meeting room for sales staff
- ④ Double cylinder for office employees
- ⑤ Cylinder for elevator for machine maintenance workers

# AS INDIVIDUAL AS YOUR PROPERTY

Types of master key systems

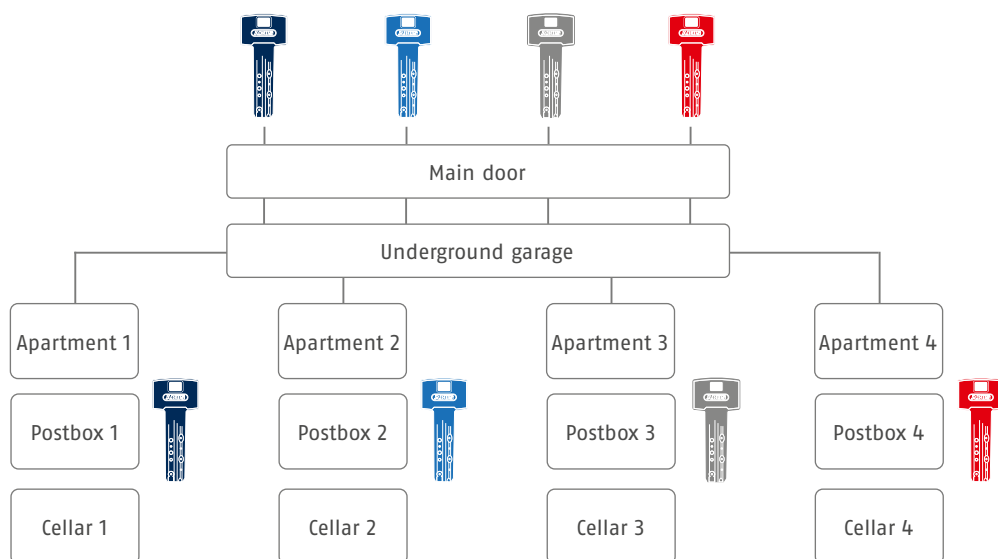


## KEYED ALIKE



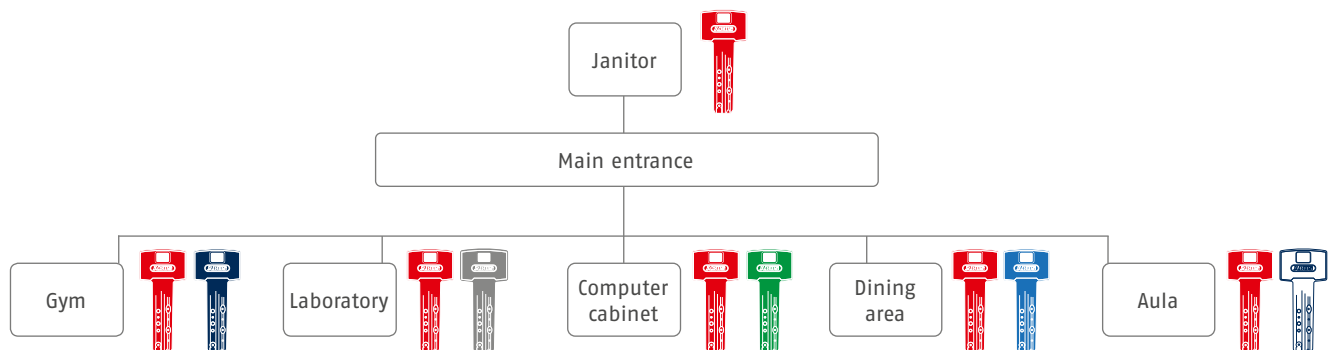


## CENTRAL KEYED SYSTEM FOR APARTMENT BUILDING





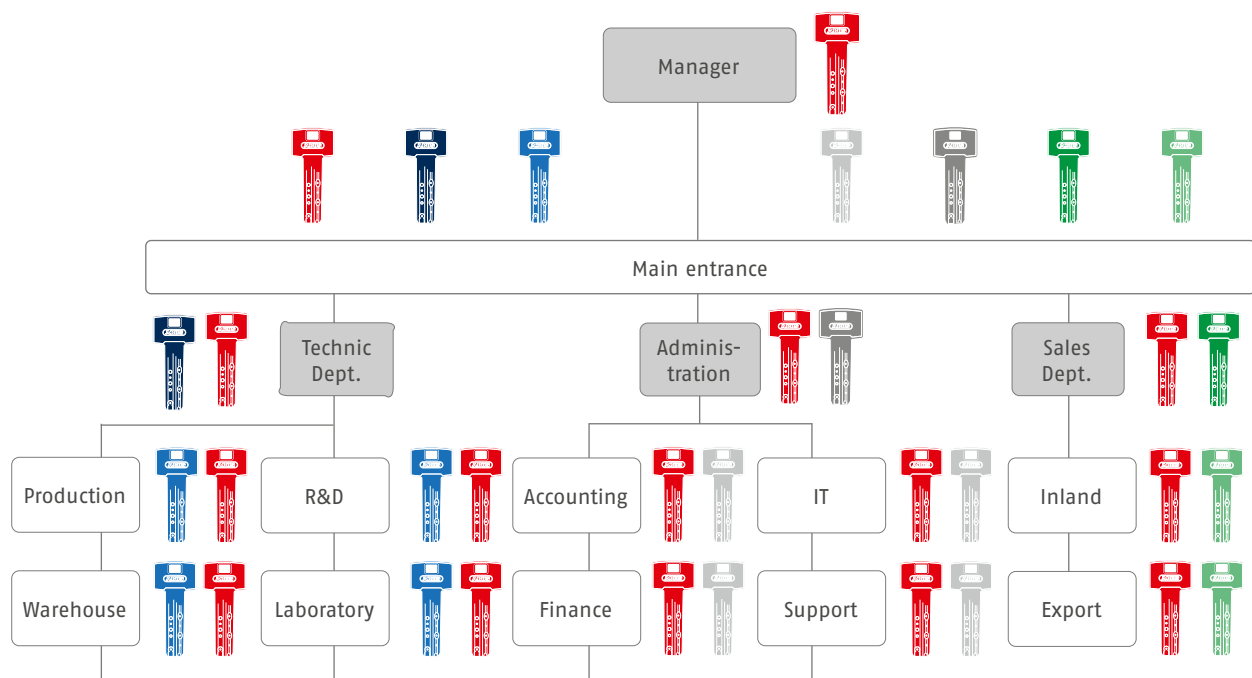
## MASTERKEYED SYSTEM FOR SCHOOL







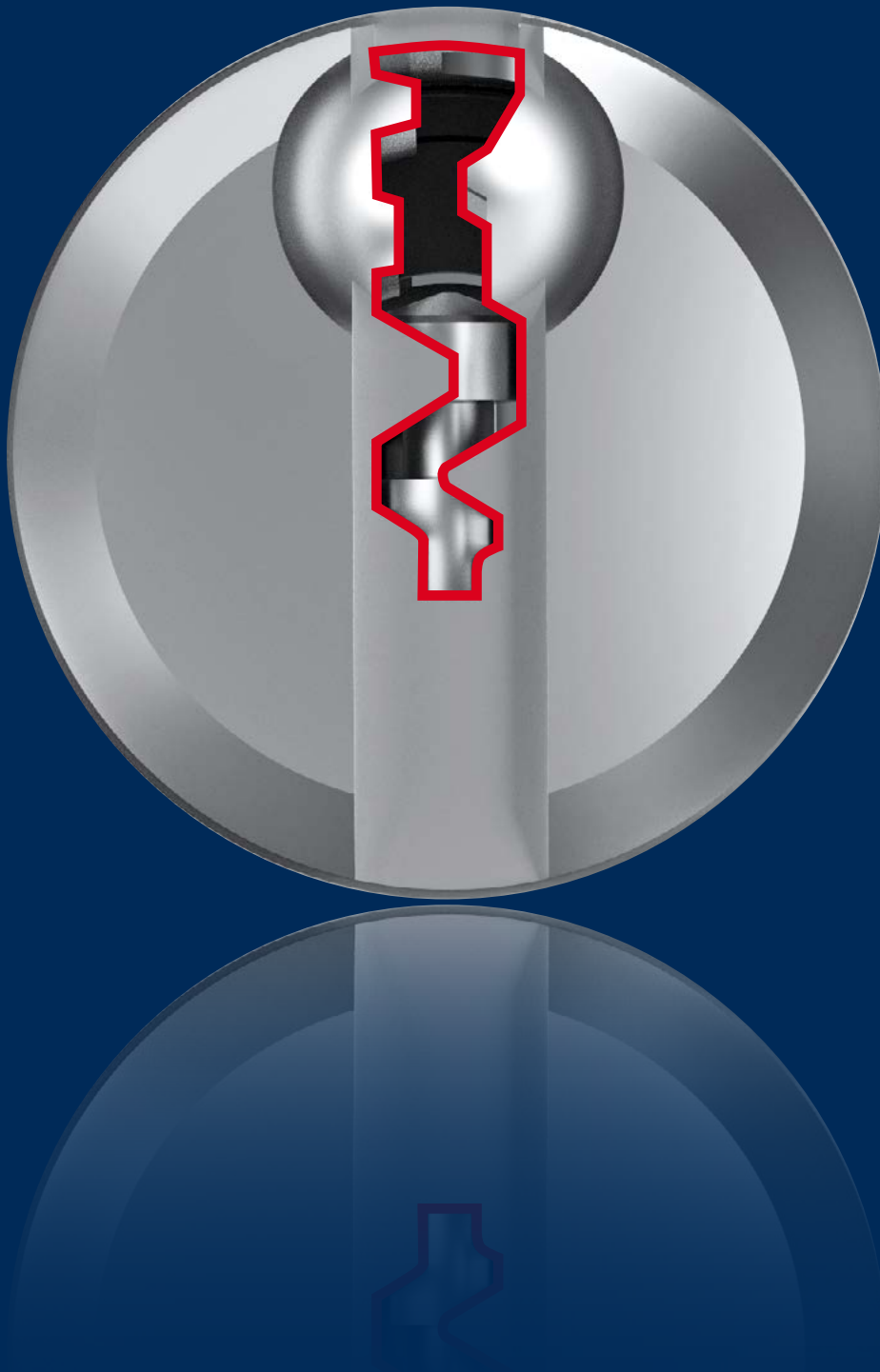
## GRAND MASTER KEYED SYSTEM FOR COMPANY



# YOUR RESERVED CUSTOMER PROFILE

---

Your future



## IT'S THAT SIMPLE

A reserved customer profile offers you numerous advantages as a security specialist shop:

For example, it enables you to react quickly to customer needs. At the same time, you bind your customers to your business and secure follow-up orders.

You don't always have to manufacture cylinders yourself as you can always order master key systems in your reserved customer profile directly from the ABUS factory. What exactly is meant by "reserved customer profile" is explained below:

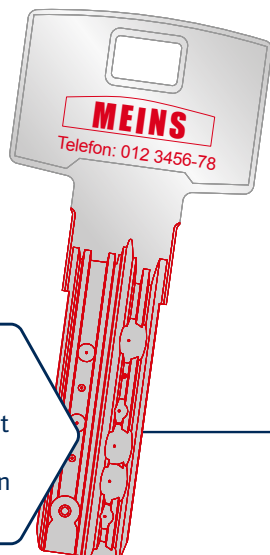
Within reach: the profile is only used by a specialist dealer in a region.



We can sign it like this:  
If a retailer decides on a reserved Customer profile, the Framework conditions are contractually agreed.

**ABUS**

There could be advertising here:  
Upon request specialist dealers can have their individual stamping on key blanks and keys.



Specialist dealers rely on this card.  
Cylinders and keys for an existing master key system can only be reordered upon presentation of the security card. Security cards can be designed individually.

**SECURITY CARD**

1234A

**ABUS**

# MASTER KEY SYSTEMS X-PRESS

## Requirements and terms of delivery

01

### Incoming orders:

- via Online-order system (OBS):  
[www.obs.abus.com](http://www.obs.abus.com)
- incoming orders weekdays  
until 12 p.m.\*

### Choose from several cylinder types (marked with ⚡ in OBS):

- Double cylinder until length 70/70 mm
- Half cylinder until length 10/70 mm
- Knob cylinder until length 70/70 mm
- Cam cylinder type 456-H24
- Padlock type 480 and VHS86TI

03

### Choose locking systems (marked with ⚡ in OBS):

- Factory profile
- Bravus.2000 and Bravus.3000
- Vitess.1000 and Vitess.2000
- Zolit.1000

02



\*To offer you our X-Press programme our team also must work "X-Press".  
Hence we kindly ask for your understanding that changes of your order cannot be included after receipt of order confirmation.



#### Choose special features:

- Emergency function (GKUP)
- Free-wheel cam (PKUP)
- Cylinder finish Nickel (NI)

04

#### Size and structure of master key system:

- Max. 50 cylinders per order
- Max. 5 central cylinders
- Max. 10 different group keys
- Max. 300 planned cylinder positions
- 20% reserve (planned by ABUS)
- Max. 250 keys per order

05



#### Check your order:

- Press button „Check X-Press-delivery“
- Revise incompatible cylinders
- Revise mistakes in your order

06

#### Our promise:

Dispatch on 3rd work day  
(Monday-Friday)



# REVERSIBLE KEY SYSTEMS

Bravus and Vela



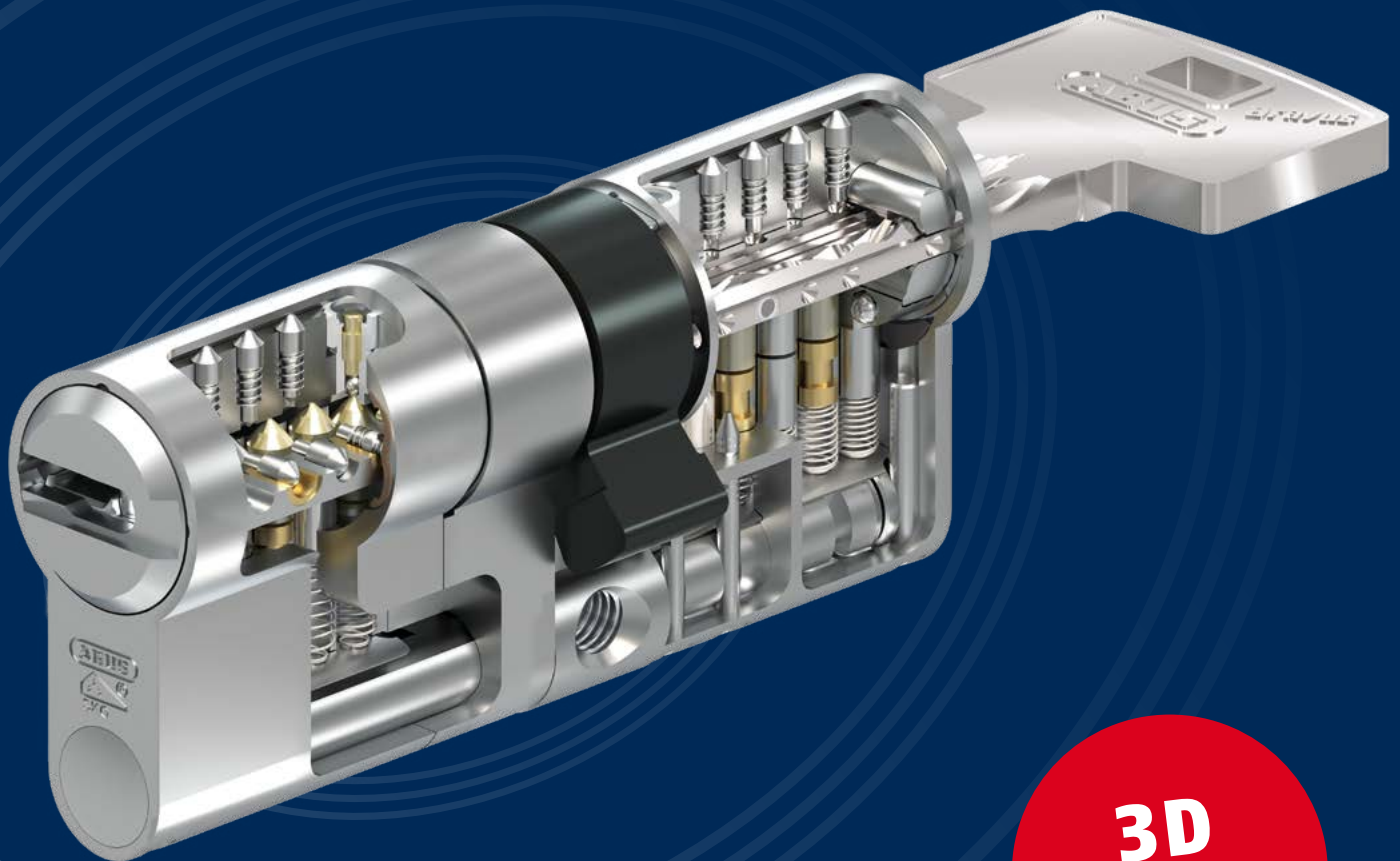
# CONVENTIONAL SYSTEMS

Vitess and Zolite



# BRAVUS MX MAGNET

High-End-Security



**3D**  
COPY  
PROTECTION



## HIGH-END SECURITY

The Bravus.3500 MX Magnet offers the highest level of security – thanks to the integrated magnet technology, SKG\*\*\* security certification as standard, technical copy protection, patent protection until 2038\* and trademark protection. The independent SKG testing institute has certified the Bravus MX magnetic Euro profile cylinders in the highest security class, SKG\*\*\*. The magnetic cylinder also achieves the highest security level in the categories of lock security, durability, corrosion resistance, fire resistance and pick resistance.

## HIGH-END LOCKING CONVENIENCE

The Bravus MX Magnet keeps you on trend. The innovative shape of the key makes it almost unnoticeable in a trouser pocket. Even in the dark, you can open the door with ease using the convenient reversible key. The modern, solid key does not snap and is made from a low-wear material to ensure long-term security.

## HIGH-END KEY COPY PROTECTION

The intelligent magnet technology and the patented Intellitec system on the key and in the cylinder effectively prevent the lock from being operated using unauthorised keys. As a result, the Bravus MX Magnet provides reliable protection against illegal 3D key copies. In recent times, 3D printers have evolved from a niche product into a major branch of industry. They can be used to produce three-dimensional components. Although this technology offers a wide range of exciting prospects for certain sectors, it also poses a certain amount of risks, as simple

key profiles or key blanks can be illegally copied using a 3D printer. Protect yourself and your home by ensuring that the locking system you purchase uses complex key profiles with multi-dimensional security features. The magnet in the Bravus MX Magnet key prevents copying via 3D printing thanks to its complex technical design. In addition, the locking process can only be completed if the key has the original magnet. The multi-dimensional Intellitec system provides further protection against 3D copies.

# BRAVUS MX MAGNET

High-End-Security

Reversible key system with horizontal key insertion

Additional locking rows

Verification of the magnet

Multiple paracentric reversible profile

Patent until 2038\*  
Trademark protection

Magnet technology

Bravus Magnet

Magnet with modular MX structure

Intellitec system with multidimensional authorisation verification provides maximum security as well as legal and technical copy protection

Magnet technology in the key

Anti-drill protection as standard with special pins made from hardened special steel

Solid, high-quality reversible key made of nickel silver to ensure durability and locking convenience

Illustration shows system Bravus.3500 MX Magnet. Also available as Bravus.2500 MX Magnet

\* patent until 2038, pending

CLASSIFICATION NORM EN1303:2015- 08

Lock security

1 2 3 4 5 **6**

Durability

1 2 3 4 5 **6**

Fire resistance

0 A **B**

Corrosion resistance

0 A B **C**

Attack resistance

0 A B C **D**



# BRAVUS

No compromises

Reversible key system with horizontal key insertion

Additional locking rows

Anti-drill protection as standard with special pins made from hardened special steel

Detector cylinder core

Intellitec System

Intellitec system with multidimensional authorisation verification provides maximum security as well as legal and technical copy protection

Multiple paracentric reversible profile

Solid, high-quality reversible key made from nickel silver for durability and convenience

Patent  
Trademark protection

Intellitec system on the key

Illustration shows system Bravus.4000.  
Also available in other system levels, e.g. without additional locking rows

\* only with optional special equipment with attack resistance class D or SKG \*\*\*

CLASSIFICATION NORM EN1303:2015-08

Lock security

1 2 3 4 5 **6**

Durability

1 2 3 4 5 **6**

Fire resistance

0 A **B**

Corrosion resistance

0 A B **C**

Attack resistance\*

0 A B C **D**



# VELA

Feel secure at home

Reversible key system with horizontal key insertion

Additional locking row

Multiple paracentric reversible profile

Patent and Trademark protection

Detector cylinder core

Inspect System

Inspect system on the key

Inspect system verifies locking authorisations to ensure maximum security as well as legal and technical copy protection

Anti-drill protection as standard with special pins made from hardened special steel

High-quality reversible key made from nickel silver for durability and convenience

Illustration shows system Vela.2000.  
Also available in system level Vela.1000  
(without additional locking rows).

CLASSIFICATION NORM EN1303:2015- 08

Lock security

1 2 3 4 5 **6**

Durability

1 2 3 4 5 **6**

Fire resistance

0 A **B**

Corrosion resistance

0 A B **C**

Attack resistance

0 A **B** C D



# VITESS

Simply secure

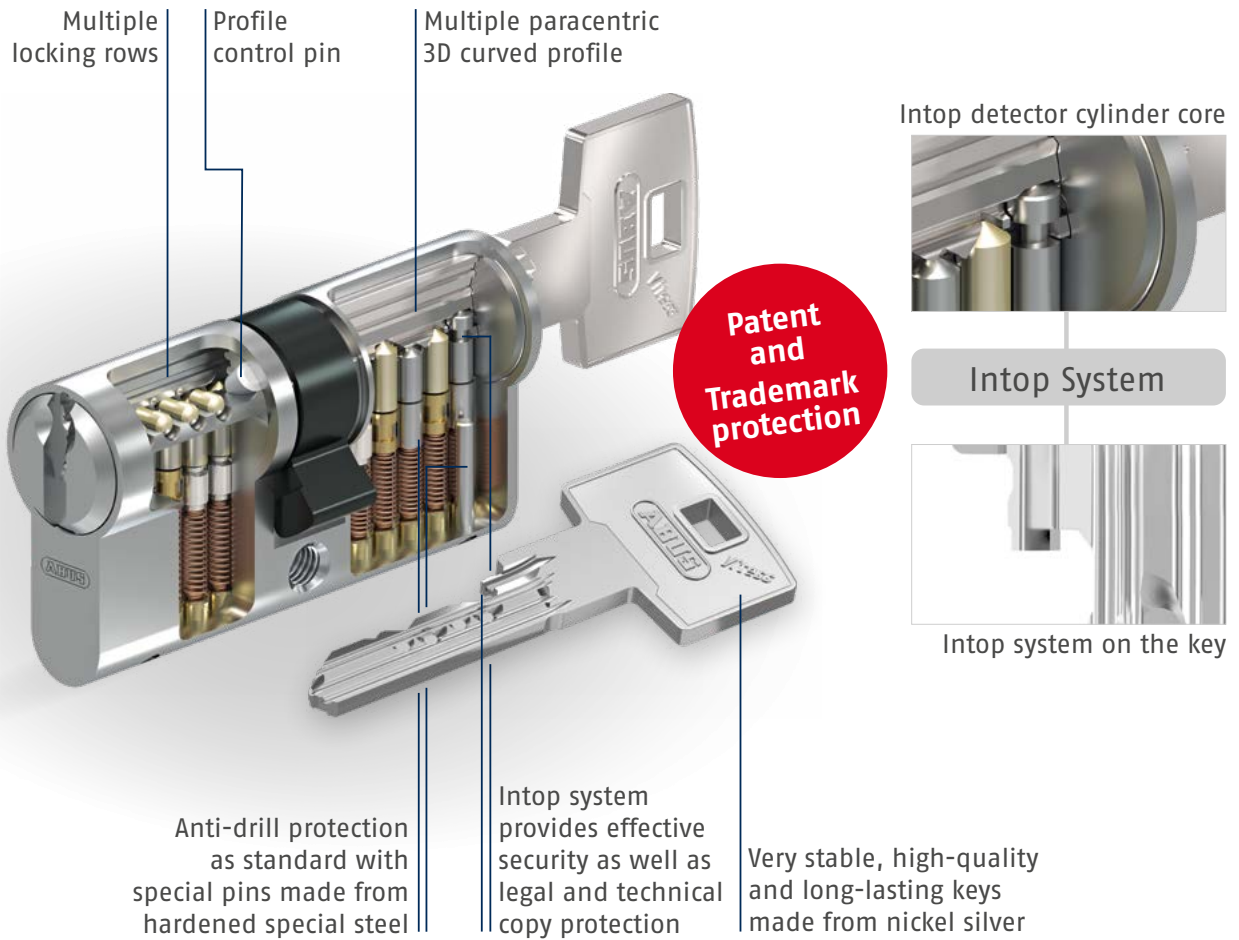


Illustration shows system ViteSS.2000.  
Also available in other system levels  
e.g. without additional locking rows.

CLASSIFICATION NORM EN1303:2015- 08

Lock security

1 2 3 4 5 **6**

Durability

1 2 3 4 5 **6**

Fire resistance

0 A **B**

Corrosion resistance

0 A B **C**

Attack resistance

0 A **B** C D



# ZOLIT

The safe all-rounder

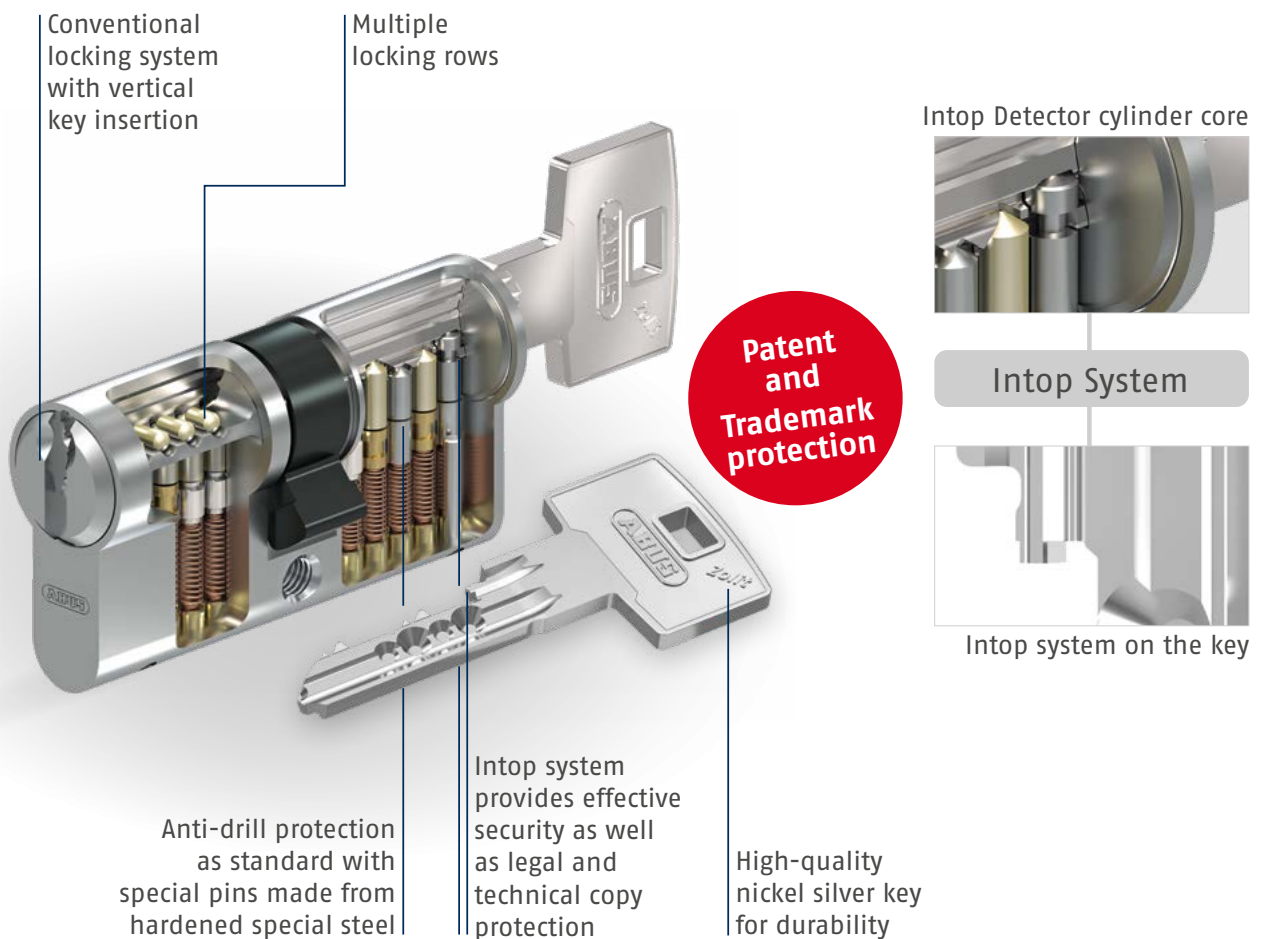


Illustration shows system Zolit.2000.  
Also available in other system levels  
e.g. without additional locking rows.

CLASSIFICATION NORM EN1303:2015- 08

Lock security

1 2 3 4 5 **6**

Durability

1 2 3 4 5 **6**

Fire resistance

0 A **B**

Corrosion resistance

0 A B **C**

Attack resistance

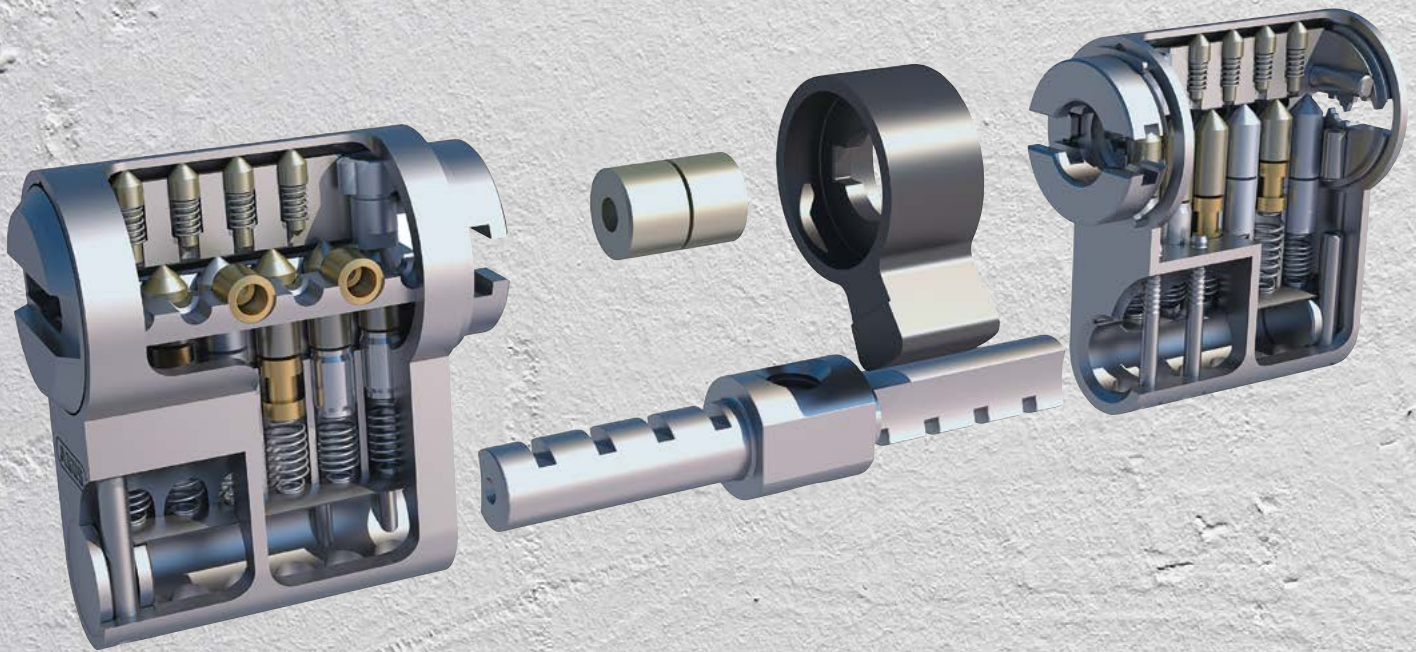
0 A **B** C D



# THE UNIQUE MODULAR SYSTEM

---

Up to 200 mm total length



## HIGH PROTECTION AS STANDARD

The stainless-steel elements inside the cylinder offer steel-hard safety as standard: The stainless-steel module web is the heart of the system and provides increased protection against pulling and breaking. The drilling protection inlay made of high-strength stainless steel and the hardened steel elements inside the cylinder also offer increased drilling protection.

## MAXIMUM FLEXIBILITY

It does not matter if you handle a service case or an emergency opening or would like to order a locking system, although not all cylinder lengths are known, ABUS offers you the ideal solution with the new option MX.

# MODULAR HAS NEVER BEEN SO EASY

MX modular system



## EASILY COMBINABLE

The modular cylinders can also be combined with cylinders of compact version in a master key system, so that the master key system meets all property requirements.

## OFFER FAST SERVICE

Keyed alike sets enable you to quickly sell or install the cylinder without prior retouching.



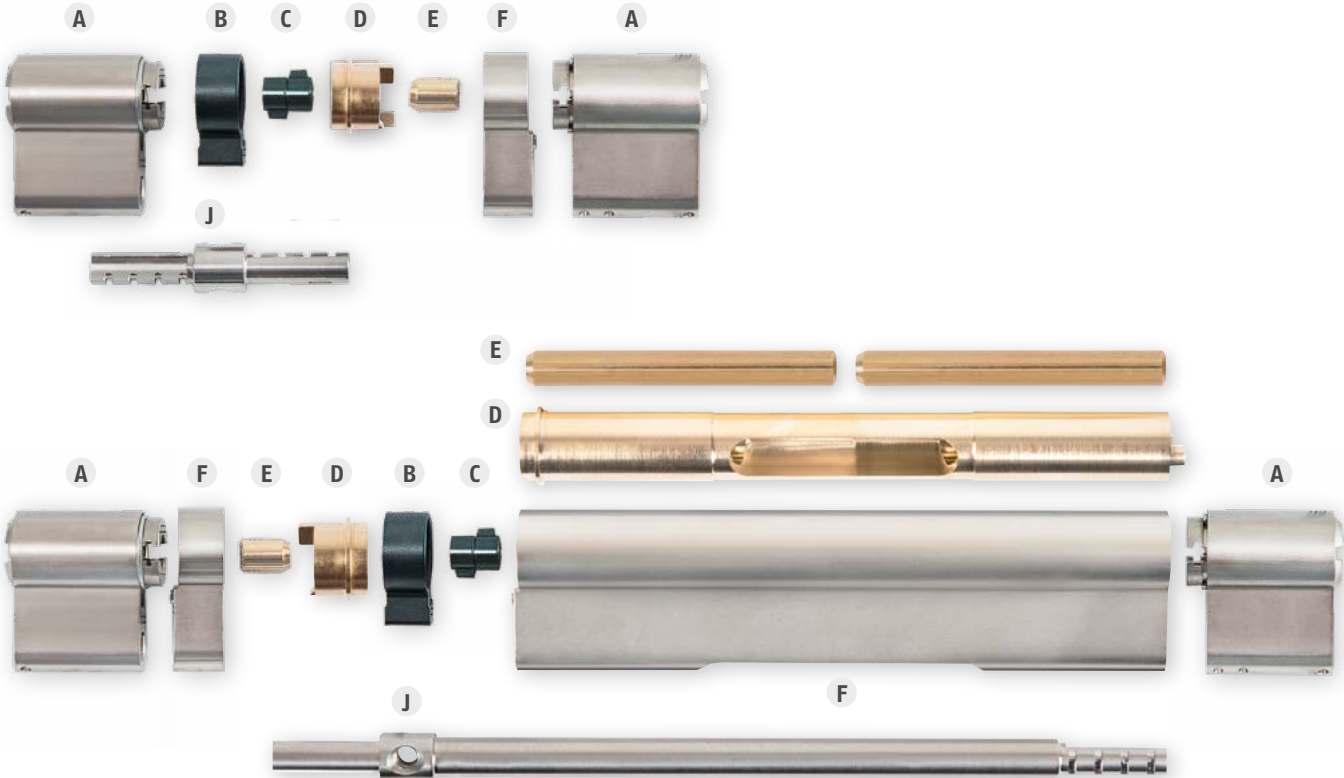
**ABUS**



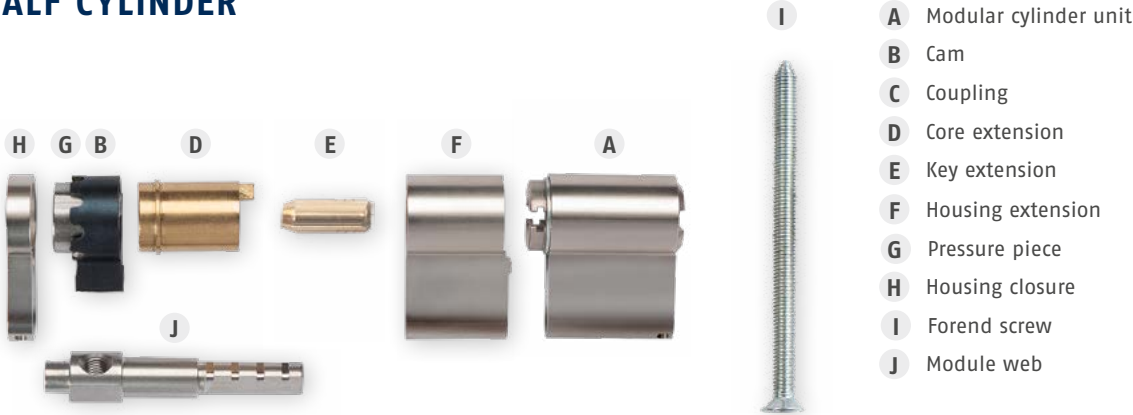
# CYLINDER LENGTHS UP TO 200 MM

Suitable for every requirement

## DOUBLE AND KNOB CYLINDER



## HALF CYLINDER



- A** Modular cylinder unit
- B** Cam
- C** Coupling
- D** Core extension
- E** Key extension
- F** Housing extension
- G** Pressure piece
- H** Housing closure
- I** Forend screw
- J** Module web

# EVERYTHING AT HAND

For optimal service

## PROFI PACKAGING OF MODULAR SYSTEM MX

With this systainer and our modular sets you will be able to meet customer requirements as quickly as possible - whether in the shop, when there are emergency openings or in the property that you are currently equipping with a master key system.



1

### DRAWER UNTIL 70/70

This drawer contains the module webs, extensions and assemblies for mounting double, half and knob cylinders up to 140 mm.



2

### DRAWER UNTIL 100/100

In this drawer you find the modular components for cylinders with a total length of up to 200 mm.



UP TO  
200  
MM



3

### BLANK DRAWER FOR SPARE PARTS

This drawer is equipped with a clear system of boxes for small parts.



4

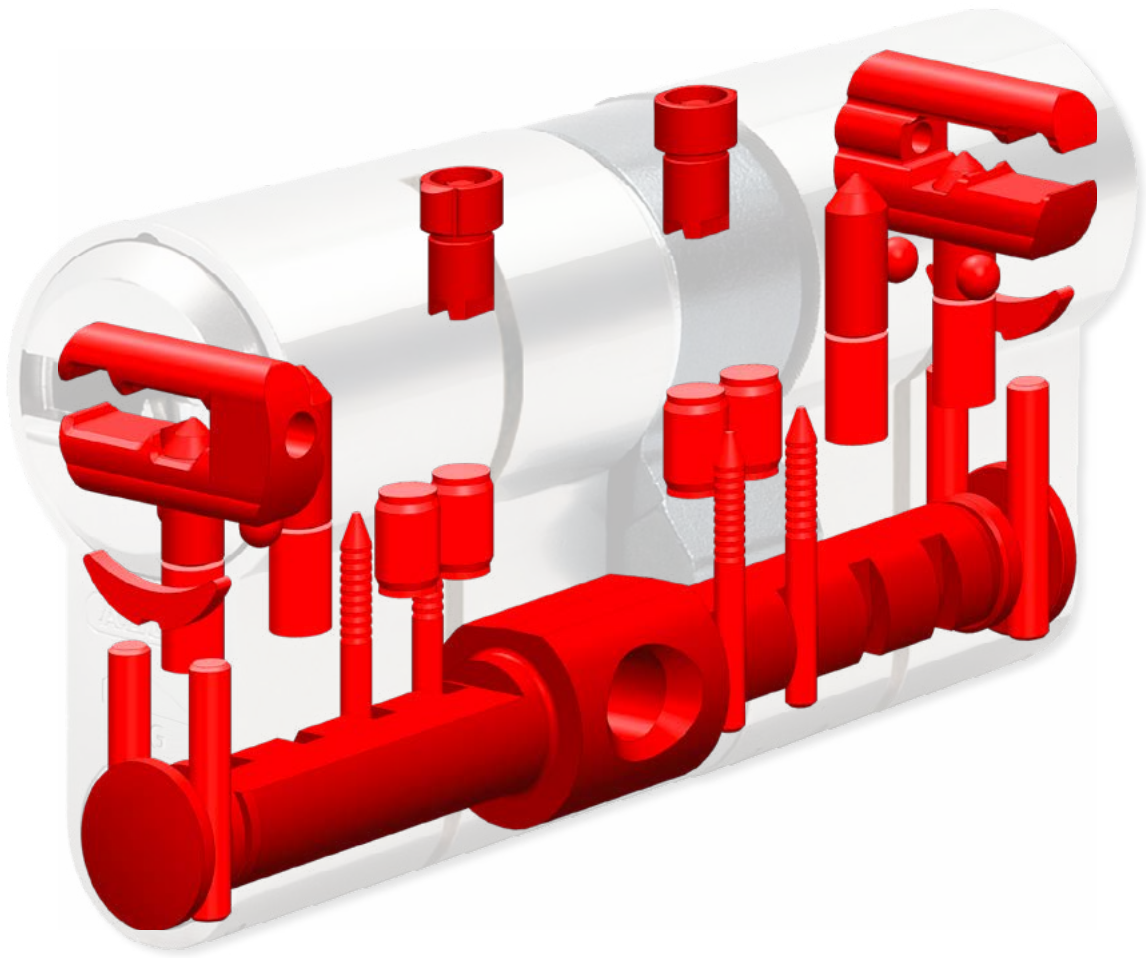
### BLANK DRAWER

In this drawer you can store your tools, pre-assembled cylinder sets and other parts.

# PROTECT VALUES

For highest demands of security





## CERTIFIED SECURITY

For particularly high security requirements, the MX modular system can be equipped with additional optional security elements: for example with a solid drilling protection bridge

and steel plates for one according to SKG \*\*\*, VdS class A and EN1303 class D certified security. This means that doors of the RC2 and RC3 class can be fitted correctly without a tested anti-pull fitting.

**ANTI-PICKING**



**ANTI-BUMPING**



**ANTI-DRILL PROTECTION**



**WITHDRAWAL PROTECTION**



**ANTI-SNAP PROTECTION**



# ONLINE ORDERING SYSTEM WWW.OBS.ABUS.COM

---

Order and manage locking systems professionally,  
view orders at any time and call up documents



## ONLINE ORDERING SYSTEM

Welcome to our ABUS online world!  
[www.obs.abus.com](http://www.obs.abus.com)

Order and manage master key systems, view order documents and track delivery dates.

The expansion of the online ordering system for your master key systems makes your business considerably easier. You can also benefit from our X-Press service for master key systems for selected systems and equipment variants.

Register quickly and securely:

- Guaranteed data security through individual access profiles
- Possibility to register several employees



>> OBS-login page

## MY ORDERS

View all orders and corresponding documents.

Meine Bestellungen							
Meine Bestellungen		In den letzten 6 Monaten		<input type="checkbox"/> Offene Aufträge <input type="checkbox"/> Abgeschlossene Aufträge		Suche	
5 Bestellungen in den letzten 6 Monaten** << Zurück   Weiter >>							
Bestelldatum	Auftragsart/ System	Bestell-Nr./ Kommission	Index-Nr.	Status	Nettobetrag*	Plantermin/ Versandtermin	Dokumente
08.07.2019	Schließanlage Biaus 1000/2000		A01005119				Auftragsbestätigung Angebot
01.02.2019	Schließanlage Biaus 1000/2000/3000	Gemeindezentr. Schulstraße	A01007119		200,00 EUR	13.02.2019	Auftragsbestätigung Angebot
15.01.2019	Zylinder mit Schließung	Lager #23	K0302119		144,25 EUR	21.02.2019/ 22.02.2019	Auftragsbestätigung Lieferschein Rechnung
08.01.2019	Zylinder mit Schließung Vitus 1000+2000	Lager #21	K0302219		131,50 EUR	15.01.2019/ 14.01.2019	Auftragsbestätigung Lieferschein Rechnung
03.01.2019	Lagerware	Lager #20	I0185119		82,04 EUR	07.01.2019/ 07.01.2019	Lieferschein Auftragsbestätigung Rechnung

>> My orders

## STATUS OF MY ORDERS

Track the status of orders at any time.



In preparation



Dispatched



In production



Cancelled

## PAPERLESS MANAGEMENT OF DOCUMENTS

Get an overview of all your offers, order confirmations, delivery notes, invoices and credit notes.

# EXPLAINED

## Pictogram glossary



**Reversible key** – The key can be inserted on both sides for maximum convenience. There is no longer a wrong way around.



**Restricted customer profile** – For these systems we can offer you your own profile with area protection. Contact us for advice and an individual offer.

DIN  
18252

**DIN 18252** – Products with this logo have been tested in accordance with the latest German industry standard for DIN 18252 cylinders.

DIN EN  
1303

**EN1303** – Products with this logo have been tested in accordance with the latest European standard for EN1303 cylinders.

Patented

**Patent** – Cylinders and keys are protected by international patents to ensure legal and protection against illegal key duplication. The maximum range is up to the specified year.



**SKG-Certificate** – The SKG test institute tests cylinders independently and awards the safety classes SKG \*\* and SKG \*\*\*.

®  
Unlimited

**Trademark protection** – A certain design element on the key has a registered trademark without a protection period in order to ensure additional protection of the key even after the expiry date of the patent(s).



**3D copy protection** – Complex key profiles with multi-dimensional security features prevent illegal 3D key copies.



**Anti-drill protection** – As of 2019 all our cylinders will be equipped with multiple hard metal elements as standard to ensure excellent protection with a "B" rating in accordance with EN1303: 2015.



**Anti-bumping** – Cylinder with special design elements to protect against opening attempts due to impacts or strokes.



**Withdrawal protection** – Elements with high hardness and toughness installed throughout the cylinder offer very high protection against attempts to pull the core or remove the cylinder body.



**Anti-picking** – A special cylinder equipment prevents the cylinder from opening with special tools.



**Modular version** – The cylinder has a flexible structure and can be converted to a desired length due to the modular principle in a few steps without any tools.



WELCOME

Little Things



ABUS | Pfaffenhain GmbH  
abus.com

---

Fabrikstraße 1  
09387 Jahnsdorf  
Tel.: +49 37 29 9-0  
Fax: +49 37 29 9-750  
email: [vertrieb@abus-pfaffenhain.de](mailto:vertrieb@abus-pfaffenhain.de)